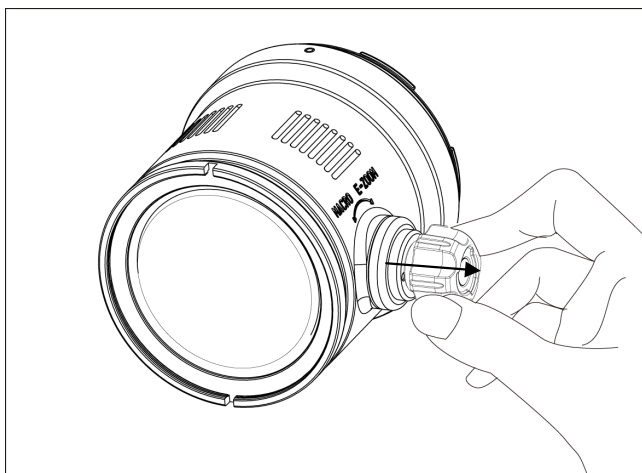


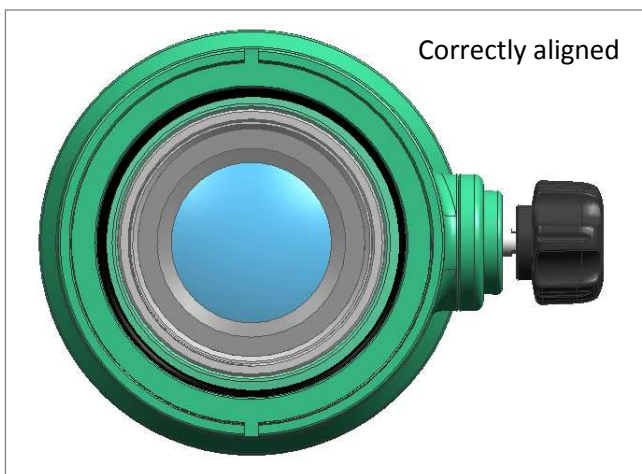
# Macro Port with M77 thread for Olympus M.Zuiko Digital ED 12-50mm F3.5-6.3 EZ

## Underwater Lens Port

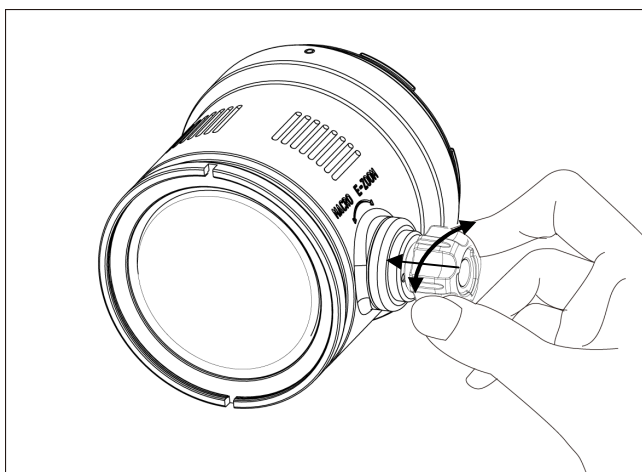
Please refer to the housing manual for procedures to mount the port to the housing.



1. Make sure the control knob is at its most outwards position before mounting/ unmounting the port. The knob should be left at this position until making sure that the lens and zoom gear is properly installed.



2. When properly installed, the lens should be perfectly concentric with the port. If there is a slight misalignment, check the position of the camera.



3. Engage the gear by pushing in the knob, then turn the knob for about 45° both ways to check if the camera switch between normal mode and Macro mode.