

25601 Vacuum Detection/ Moisture Alarm PCB set

Installation Guideline

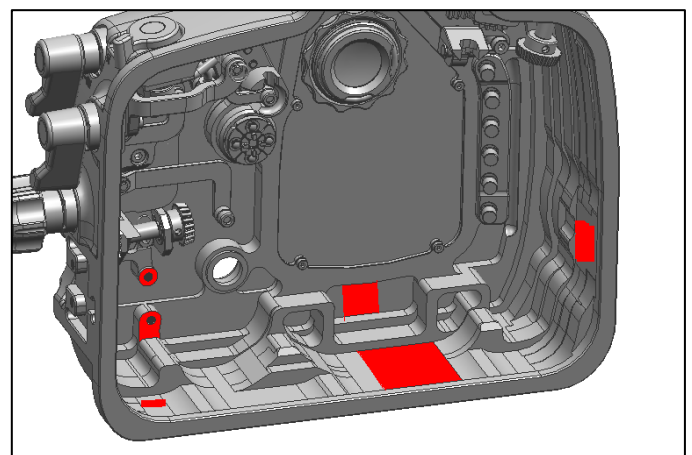
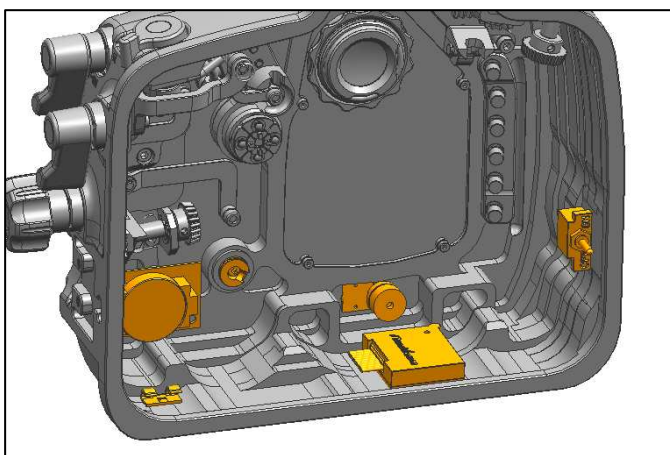
This is a brief guideline for installing 25601 Vacuum Detection/Moisture Alarm PCB set into the following housings:

Product No.	Description
17206	NA-D7000V Housing
17208	NA-D4 Housing
17209	NA-D800 Housing
17210	NA-D600 Housing
17211	NA-D7100 Housing
17301	NA-7D Housing
17305	NA-5DIII Housing
17306	NA-650D Housing
17307	NA-1DX Housing
17311	NA-6D Housing
17707	NA-GH3 Housing

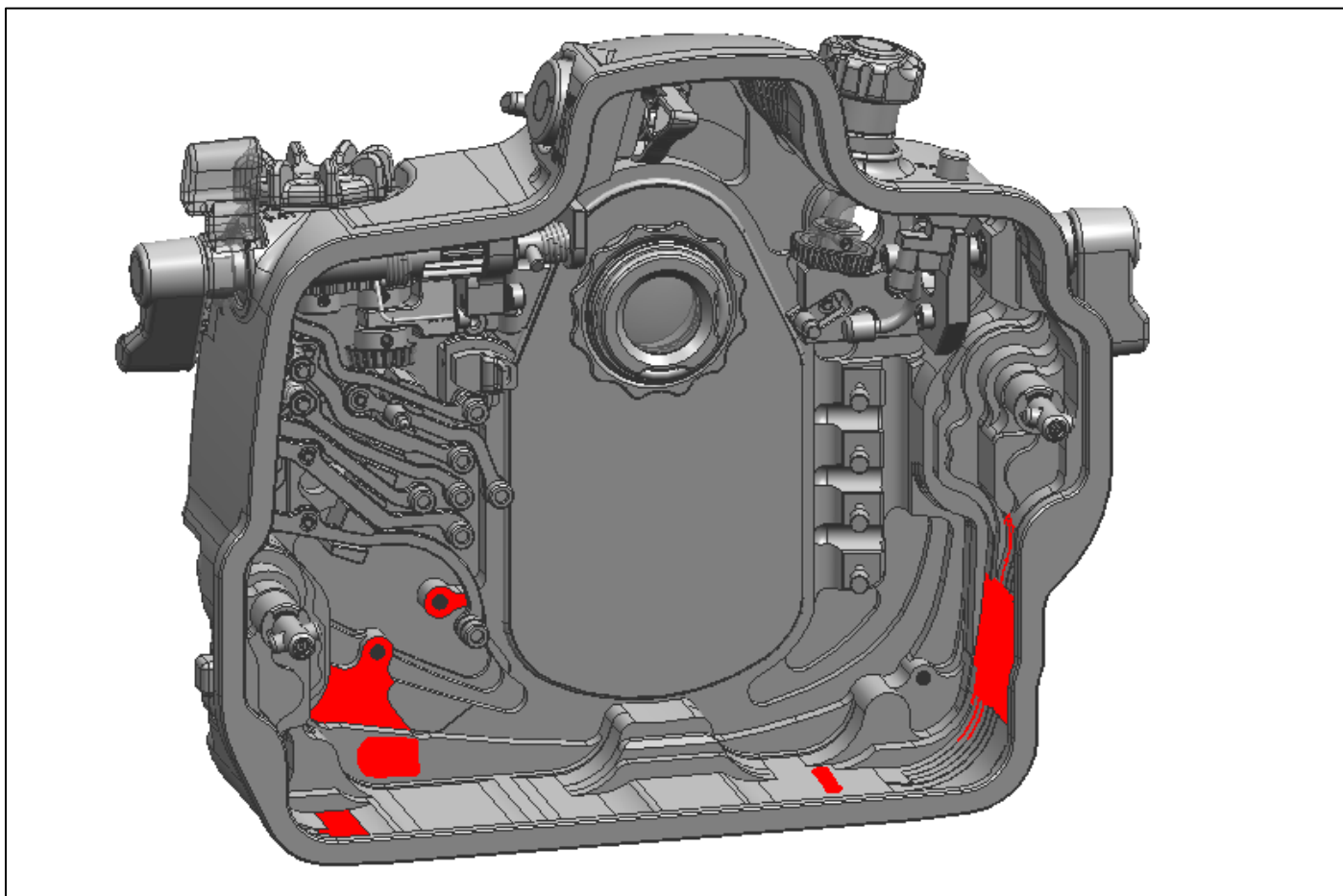
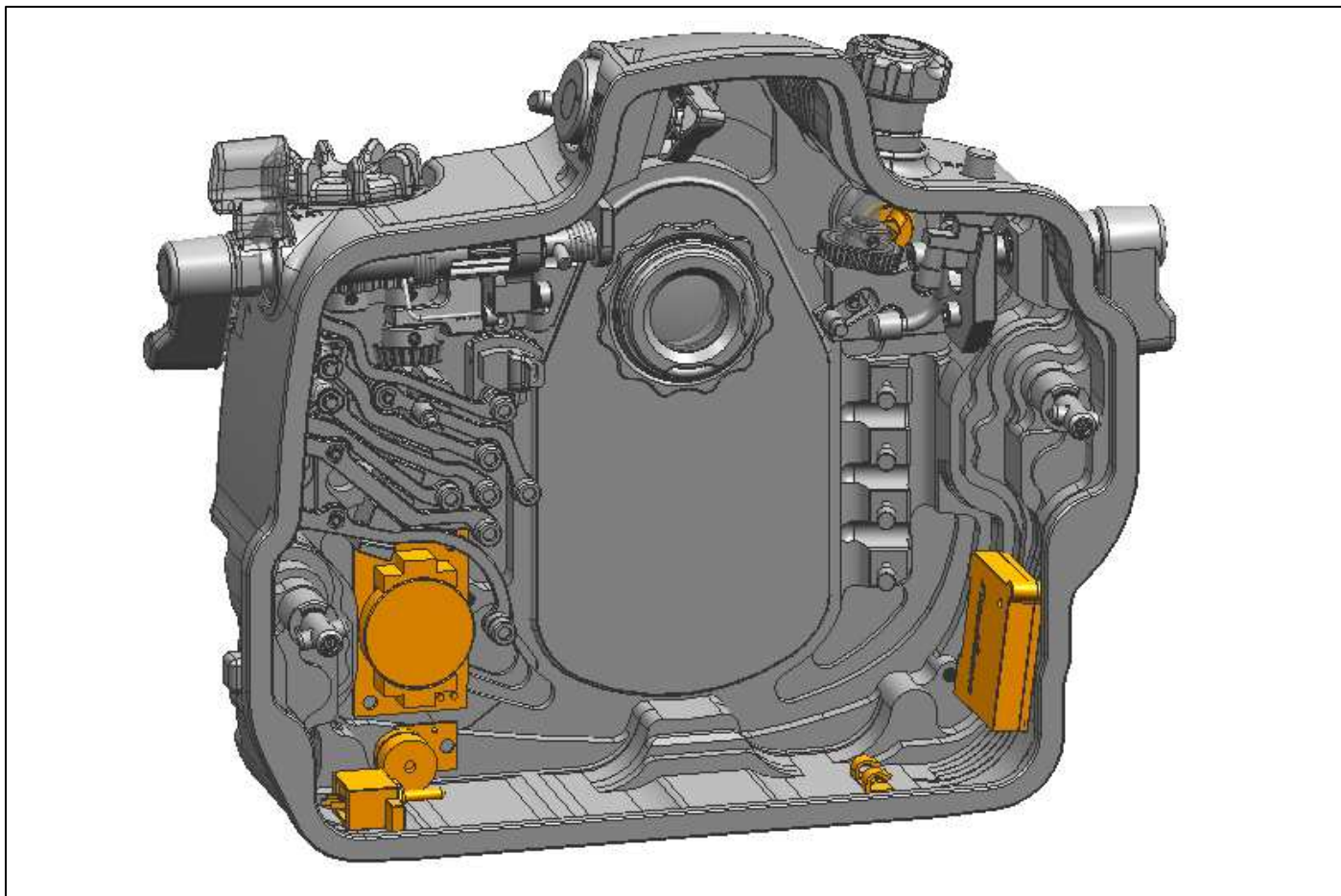
This guideline will provide the recommended position for placing the components inside the housings, we recommend using high strength double sided adhesive tape (or adhesive - metal to metal/plastic) for securing the components in the housings. When sticking the double sided adhesive tape onto the vacuum sensor, please make sure that the tape is on the surface WITHOUT the Nauticam logo. In some cases, slightly modification maybe needed.

Direction for use:

There are two pictures for each of the supported housing models. The orange parts of first picture show the location of each component and the red parts of second picture indicate where adhesive should be applied.

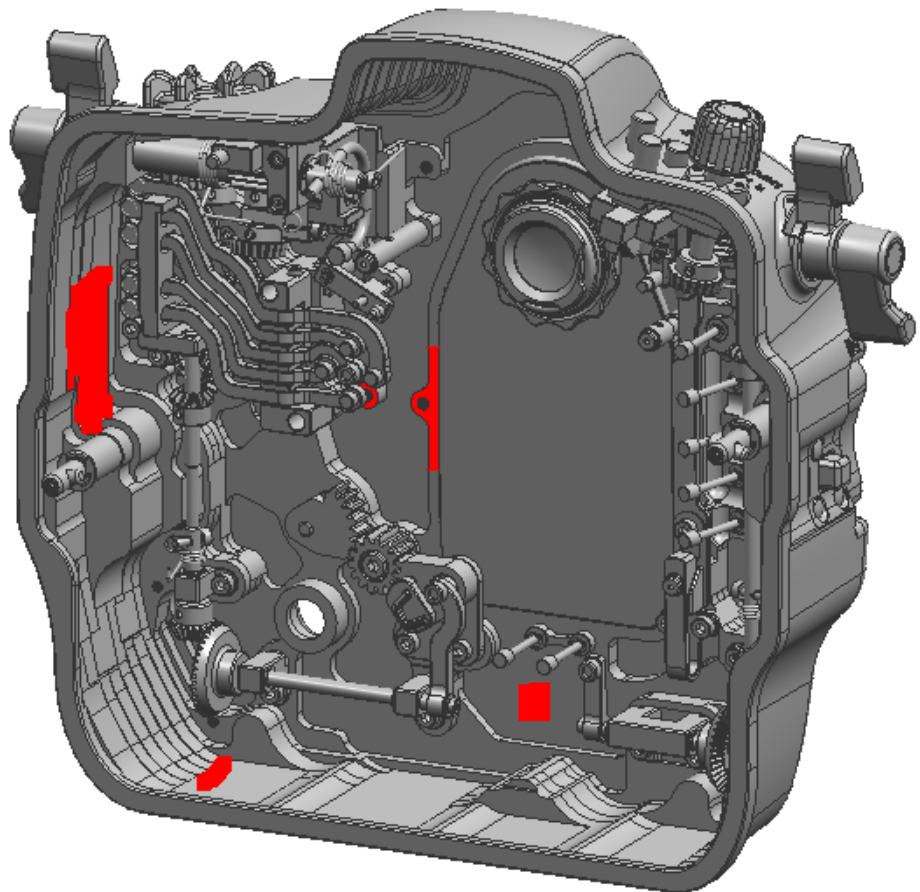
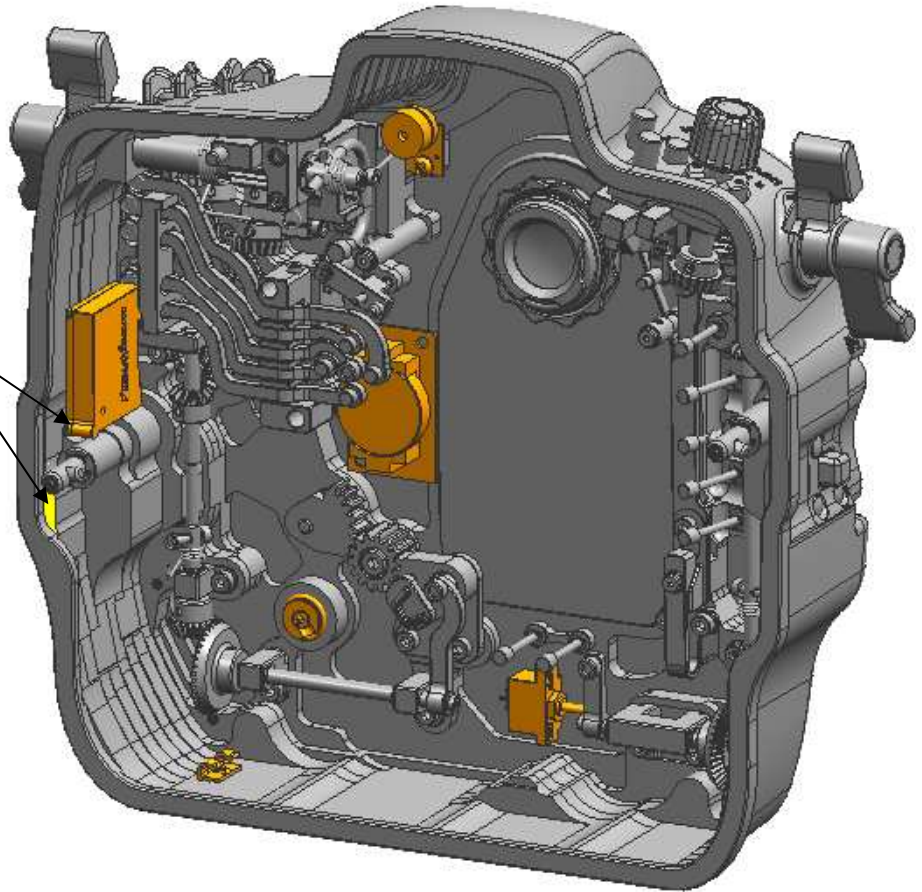


17206 NA-D7000V Housing

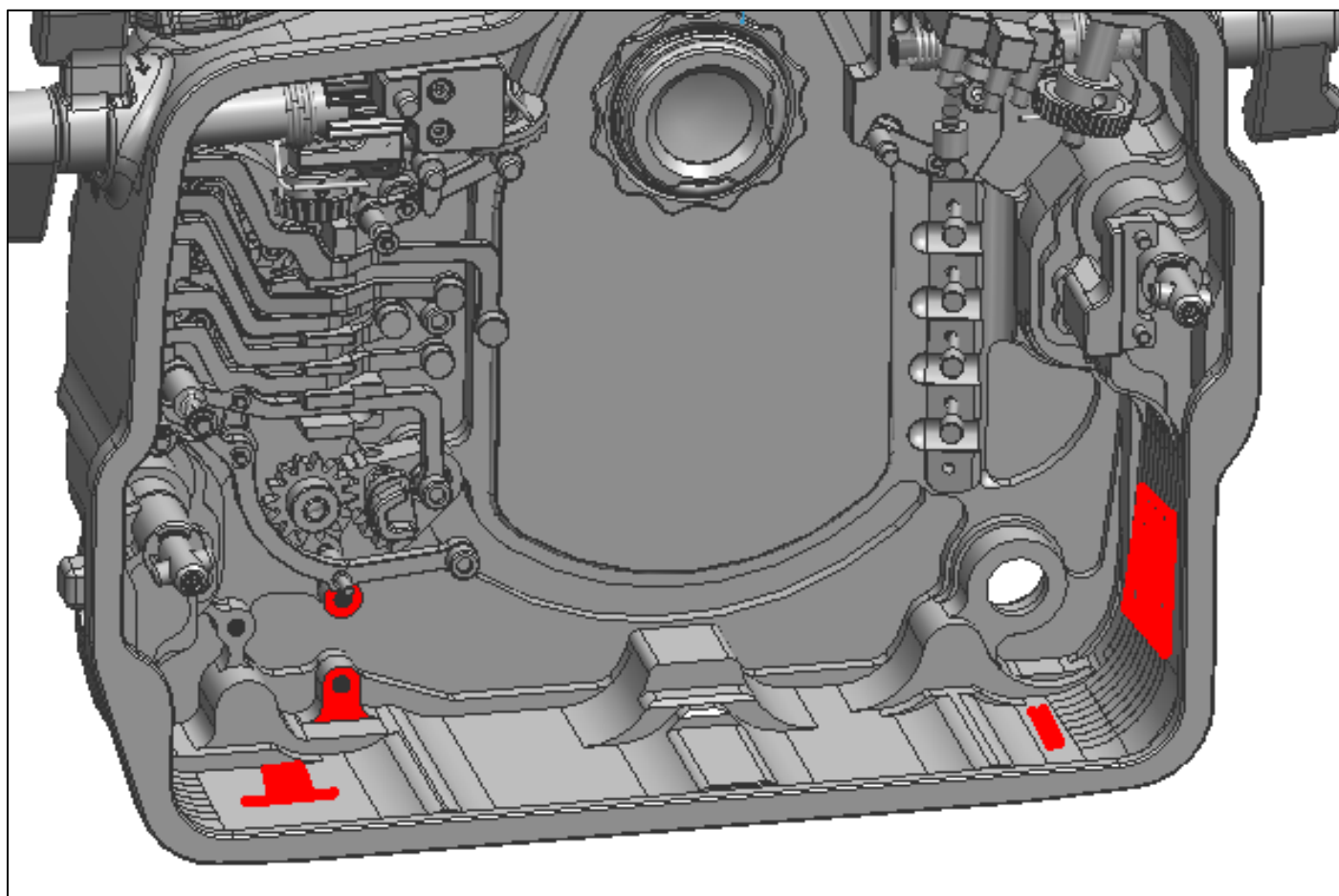
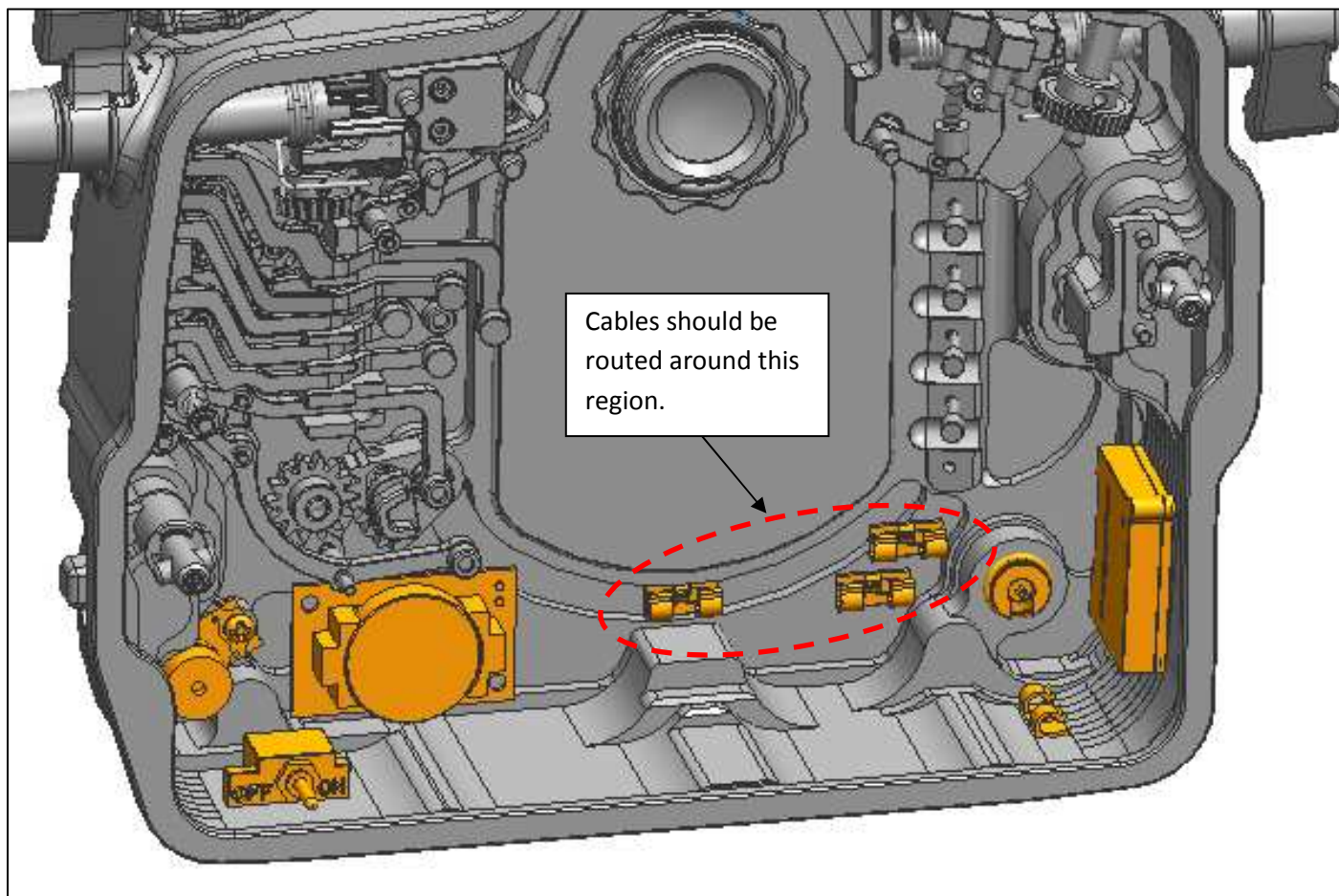


17208 NA-D4 Housing

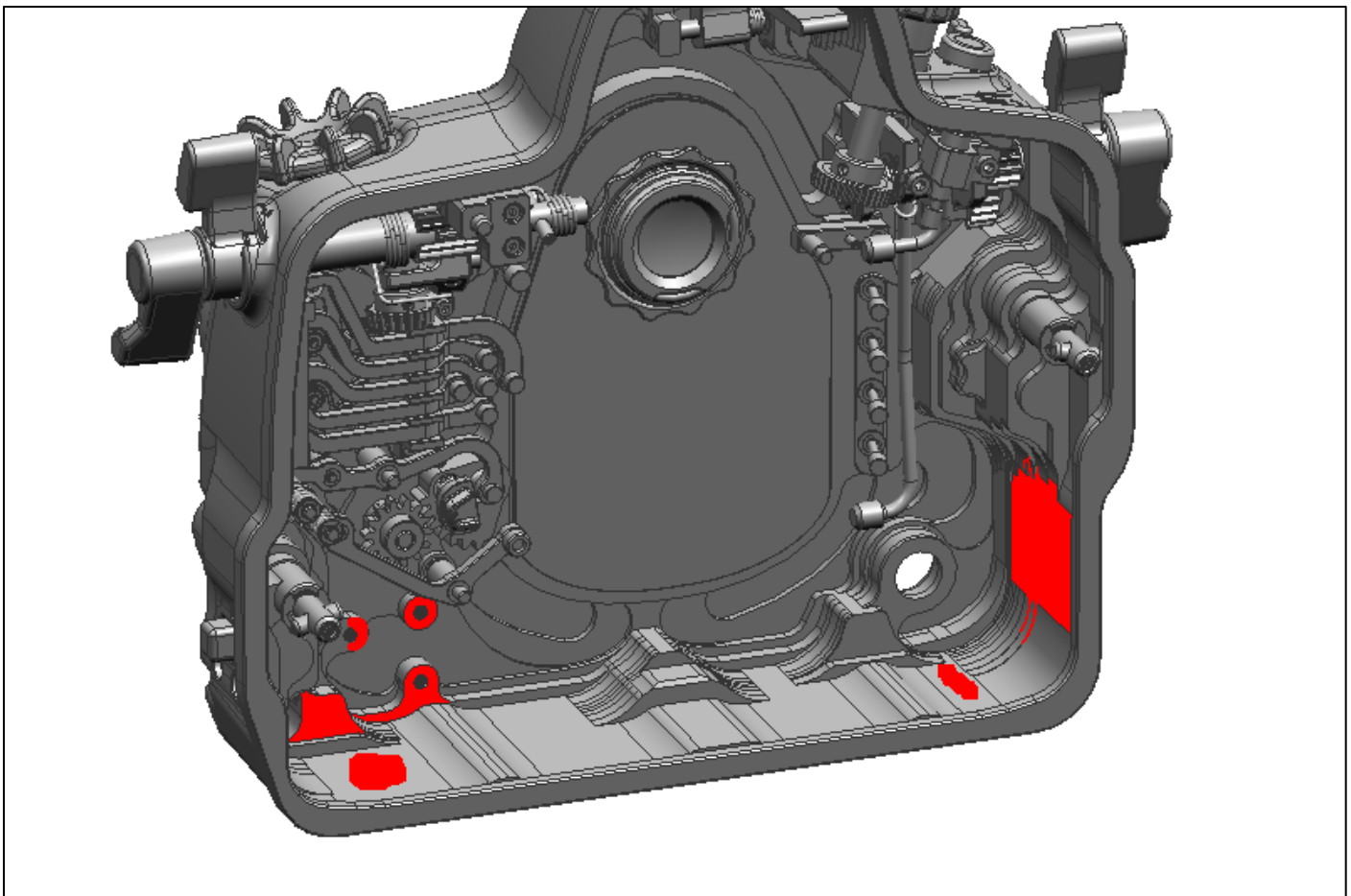
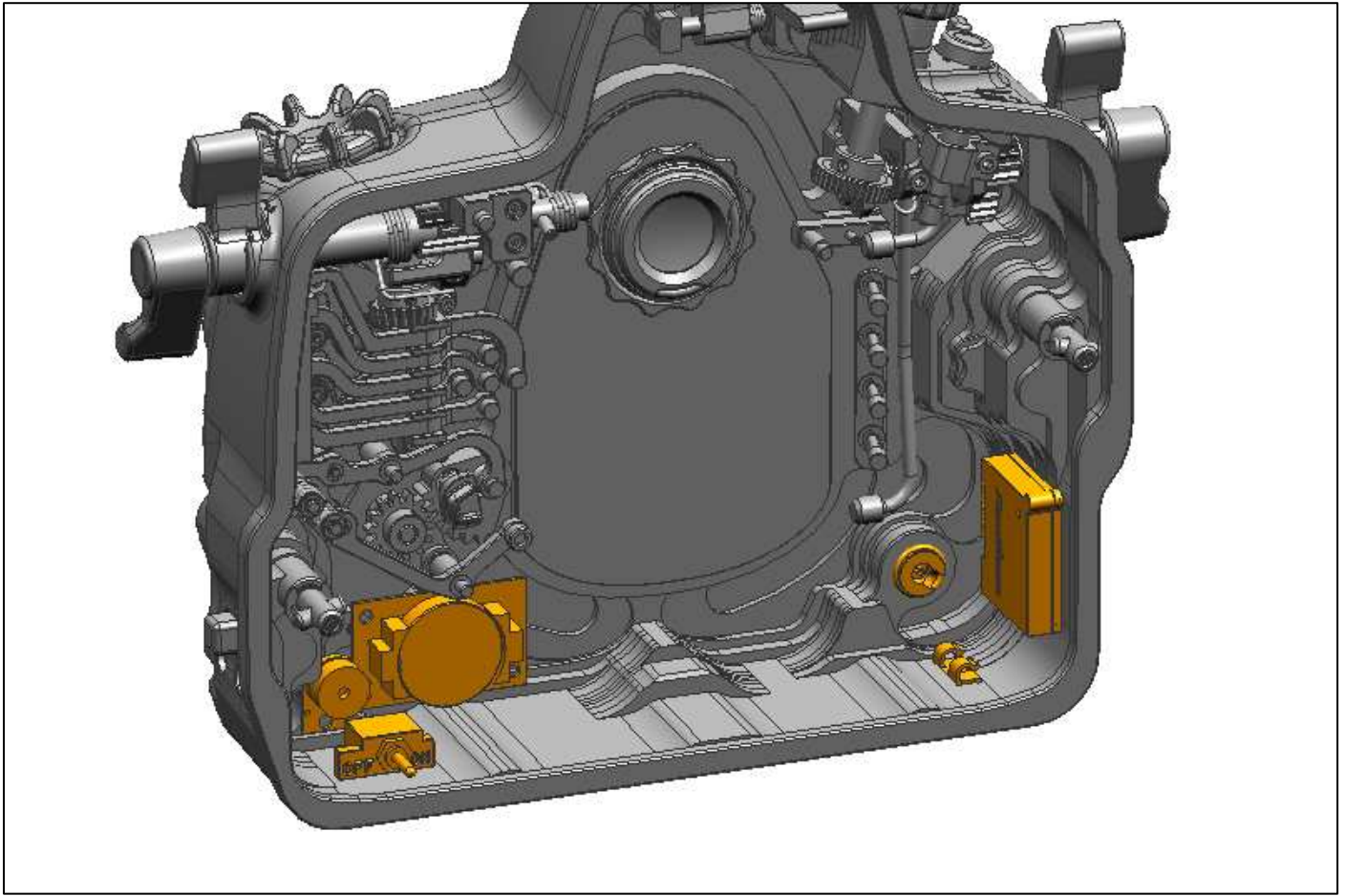
The vacuum sensor must be lower than the YELLOW surface.



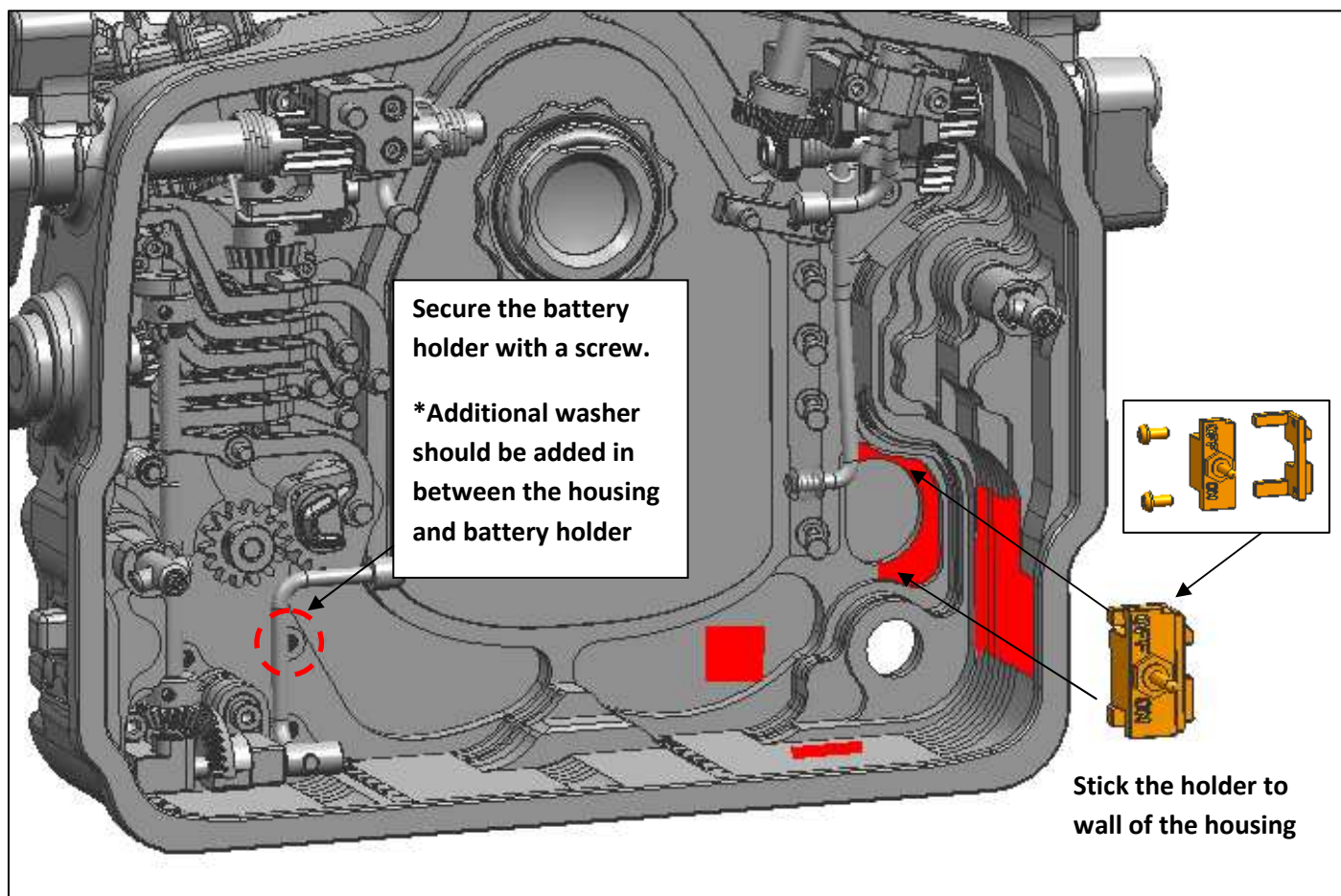
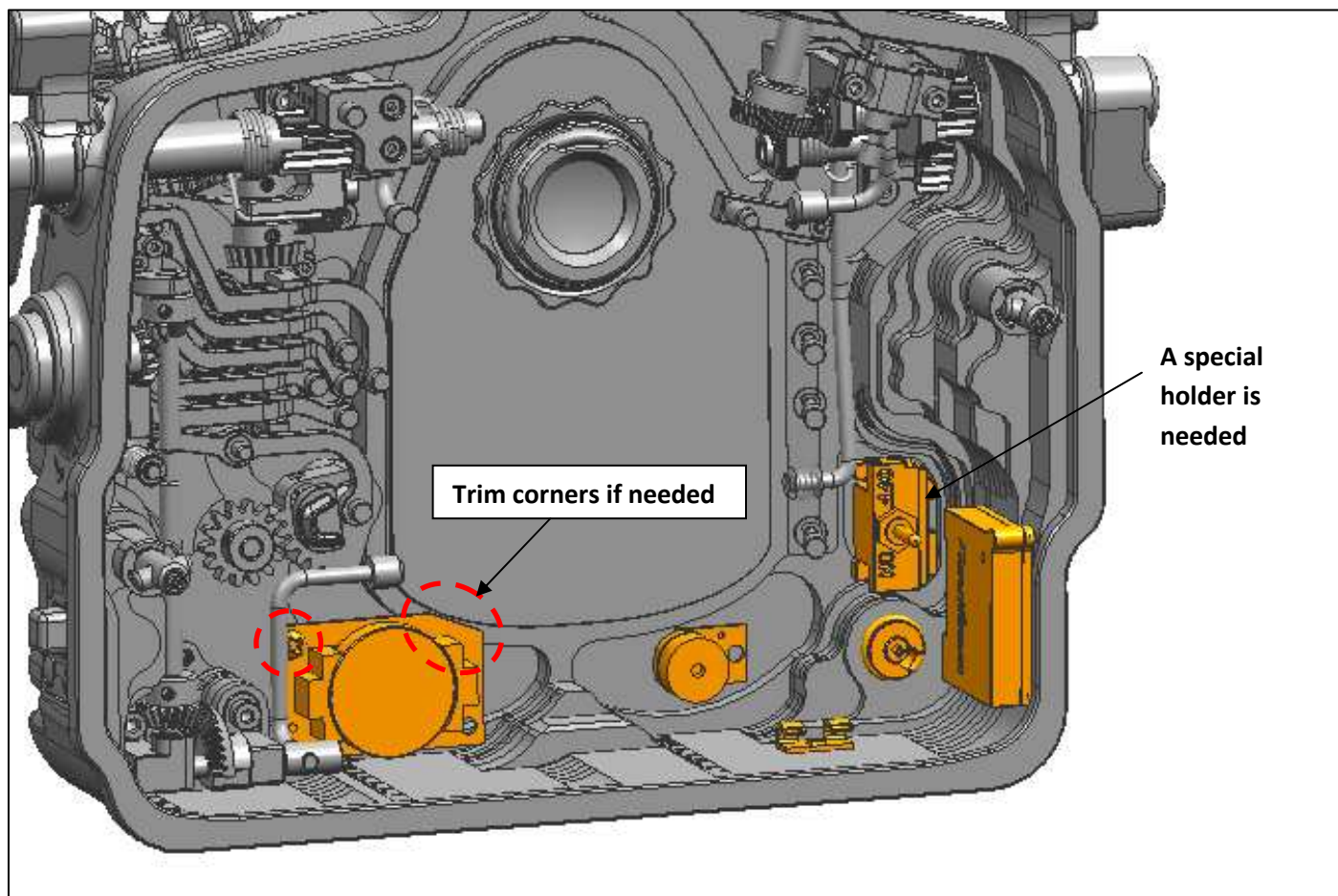
17209 NA-D800 Housing



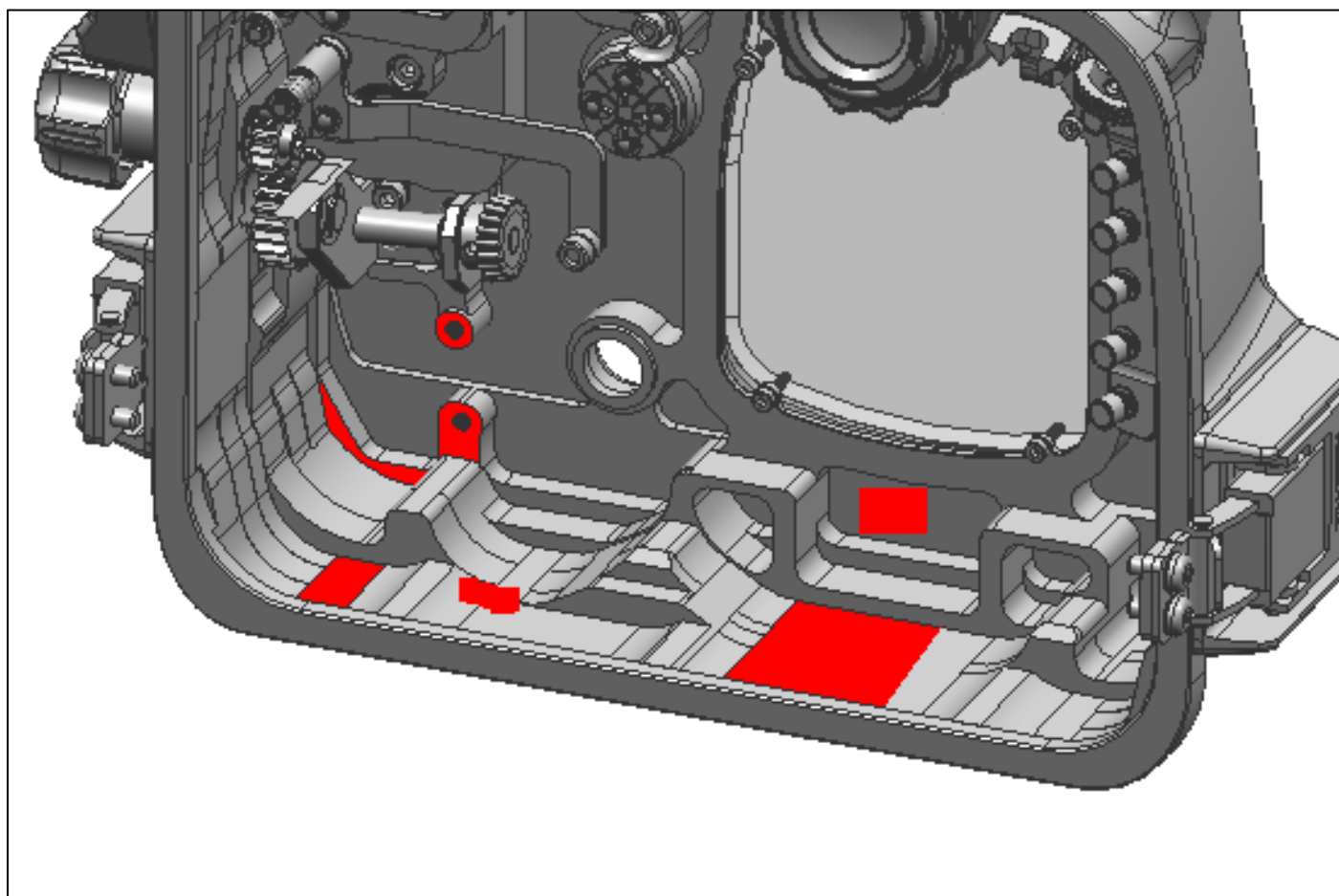
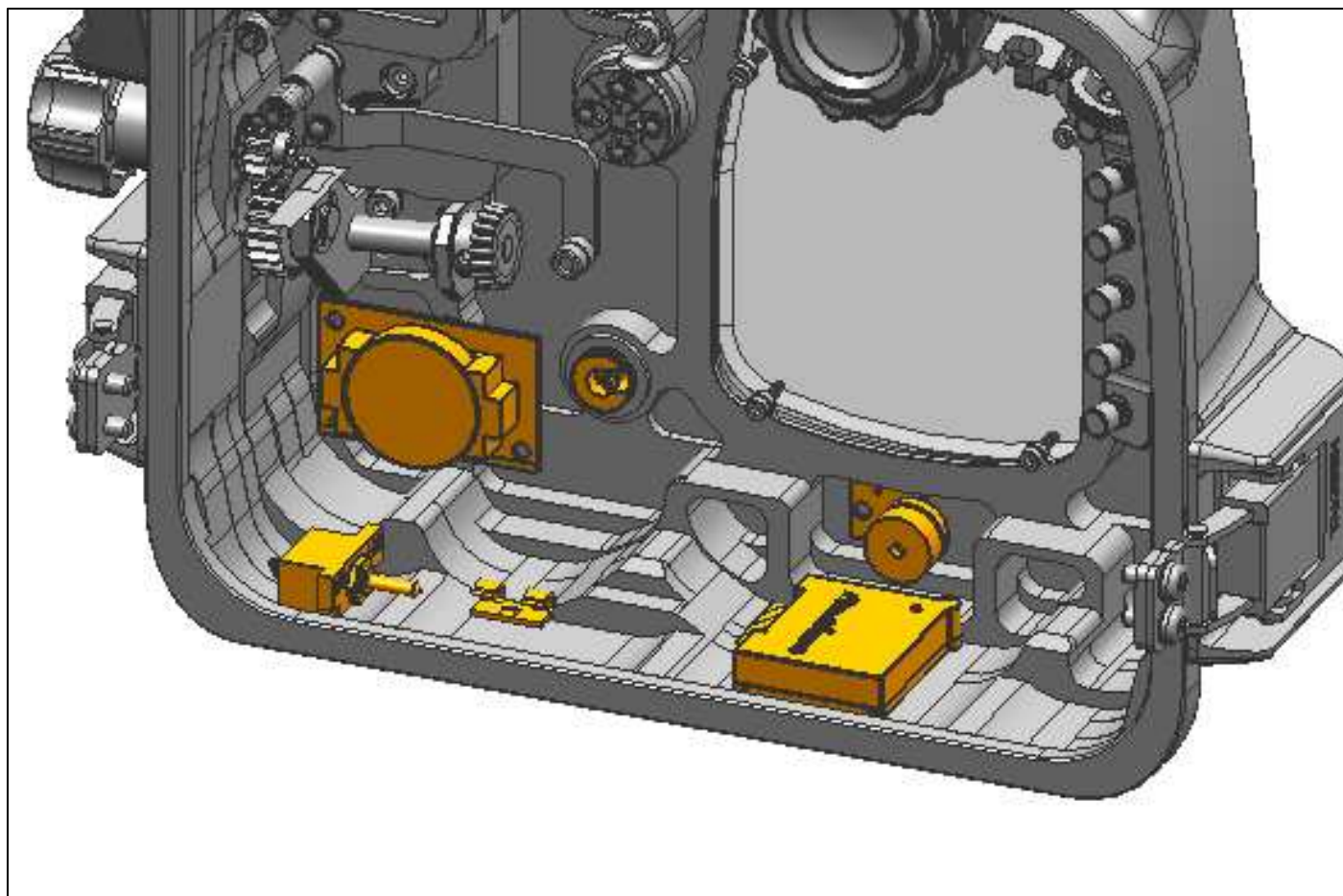
17210 NA-D600 Housing



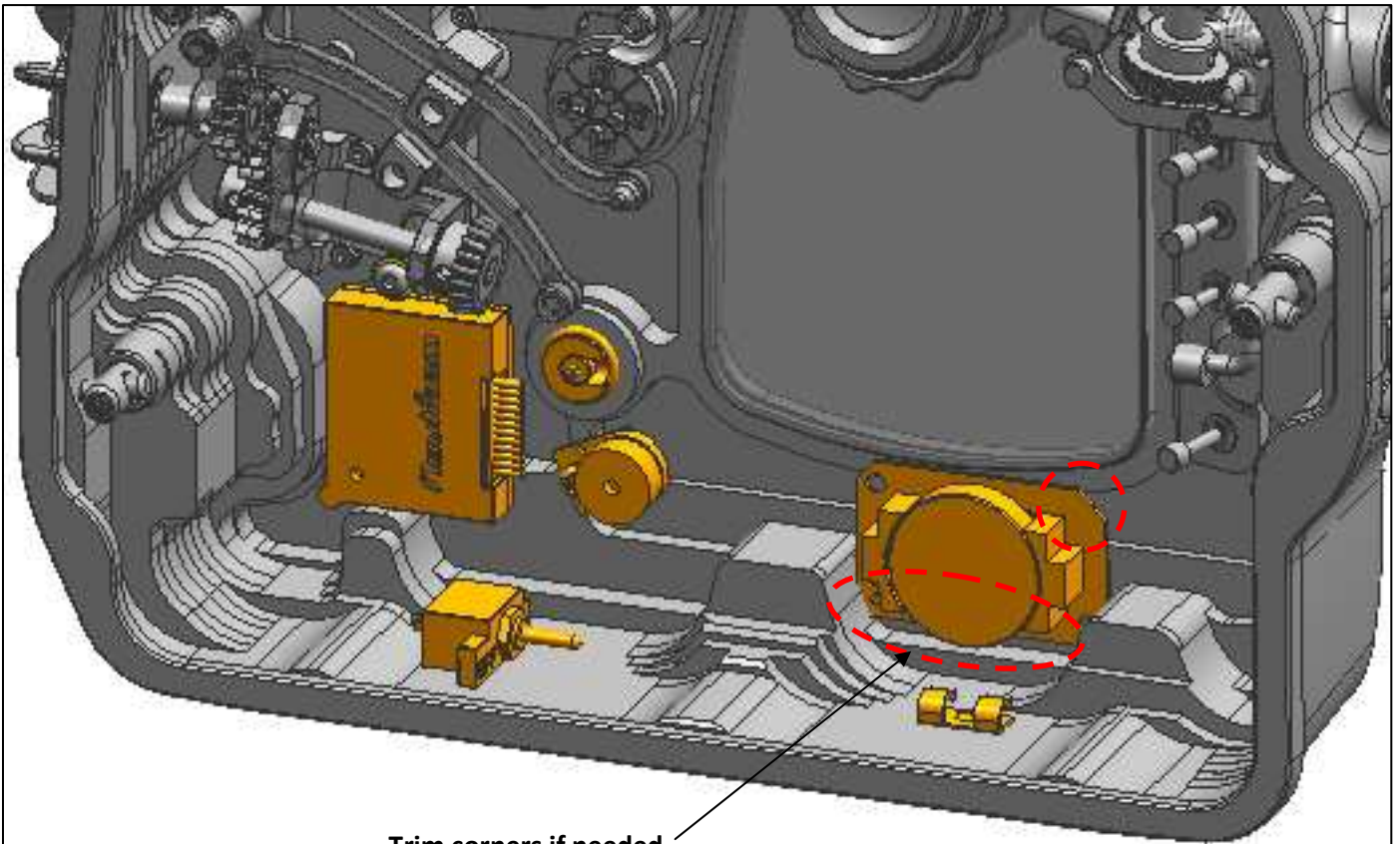
17211 NA-D7100 Housing



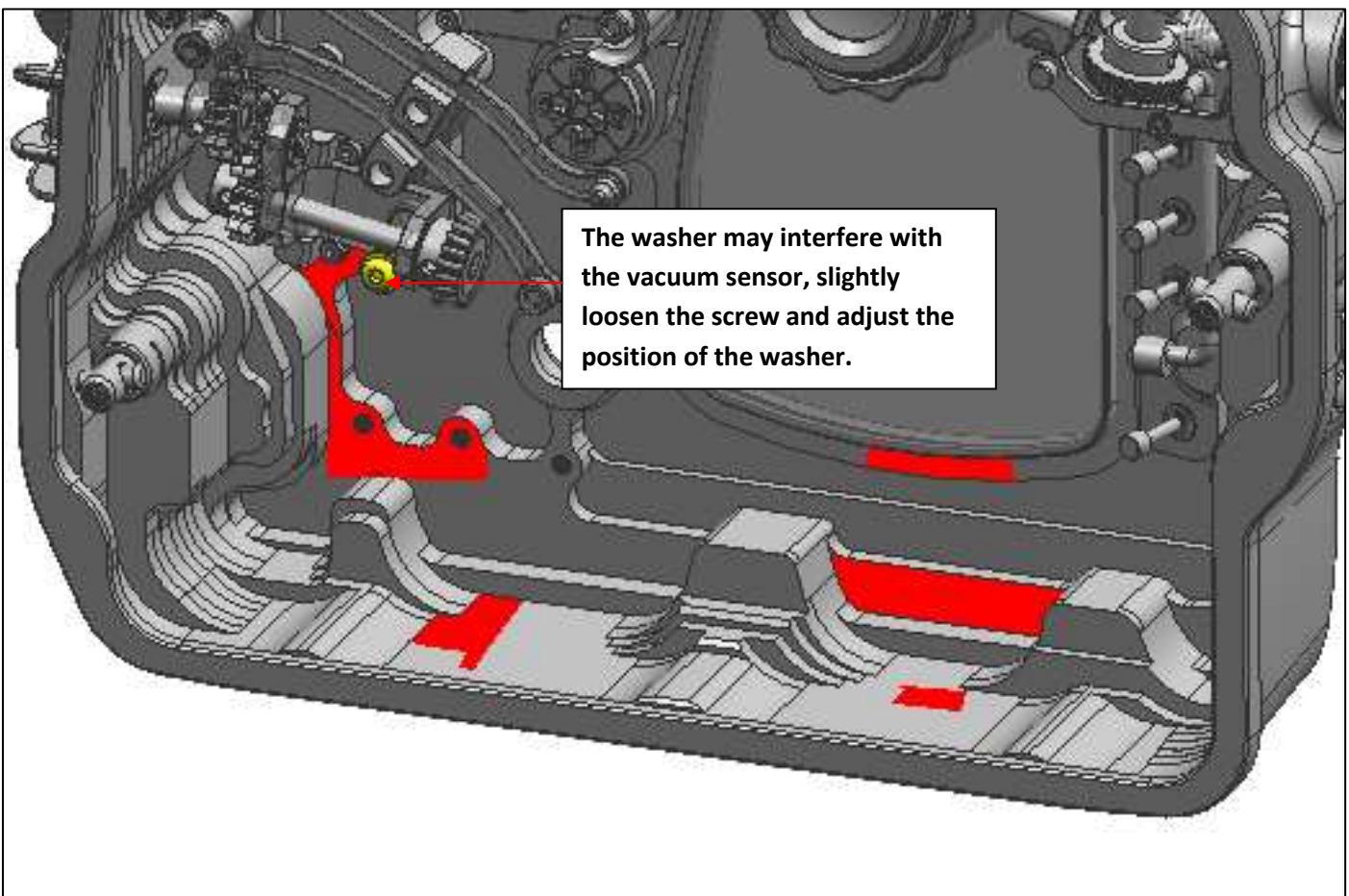
17301 NA-7D Housing



17305 NA-5DMKIII Housing

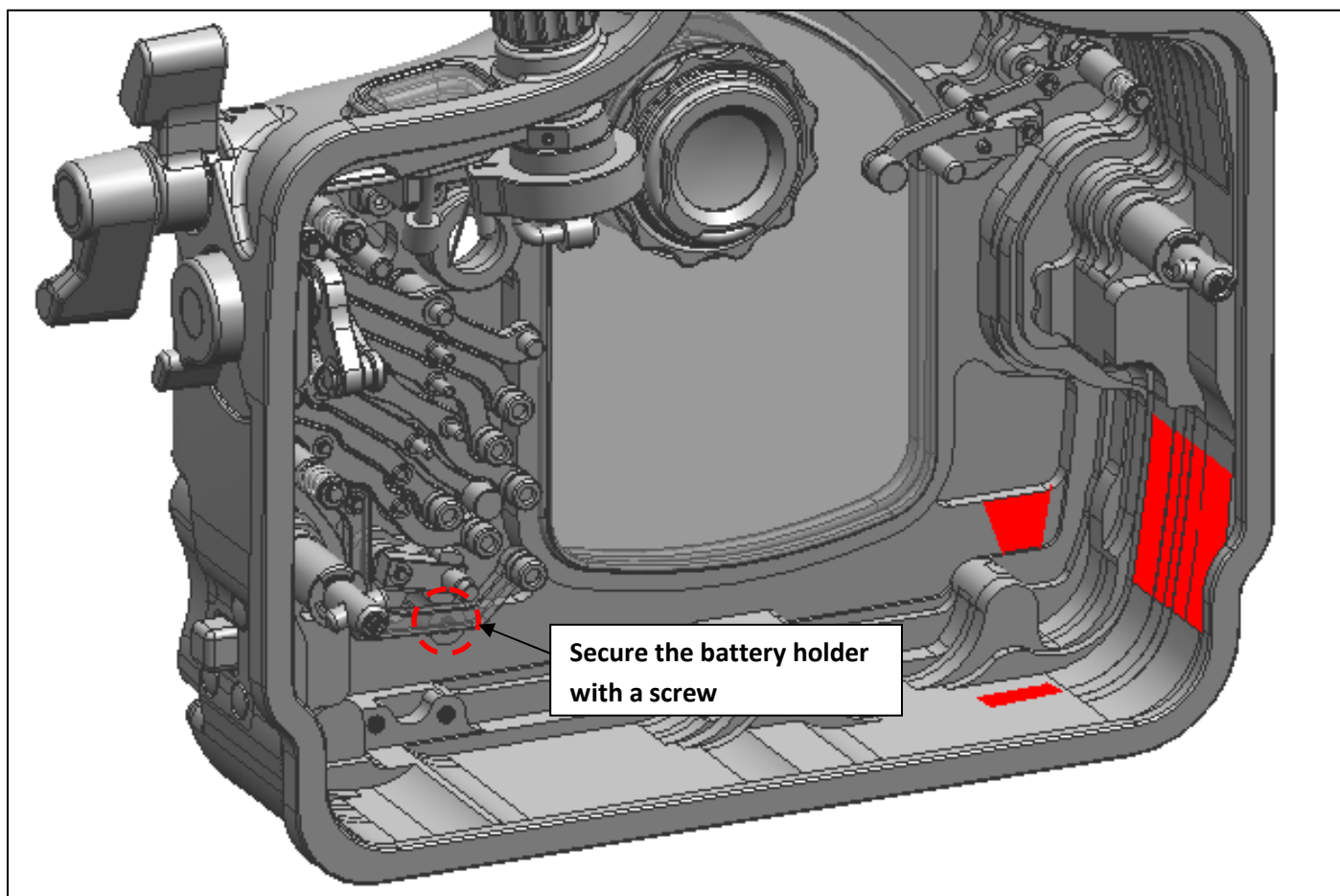
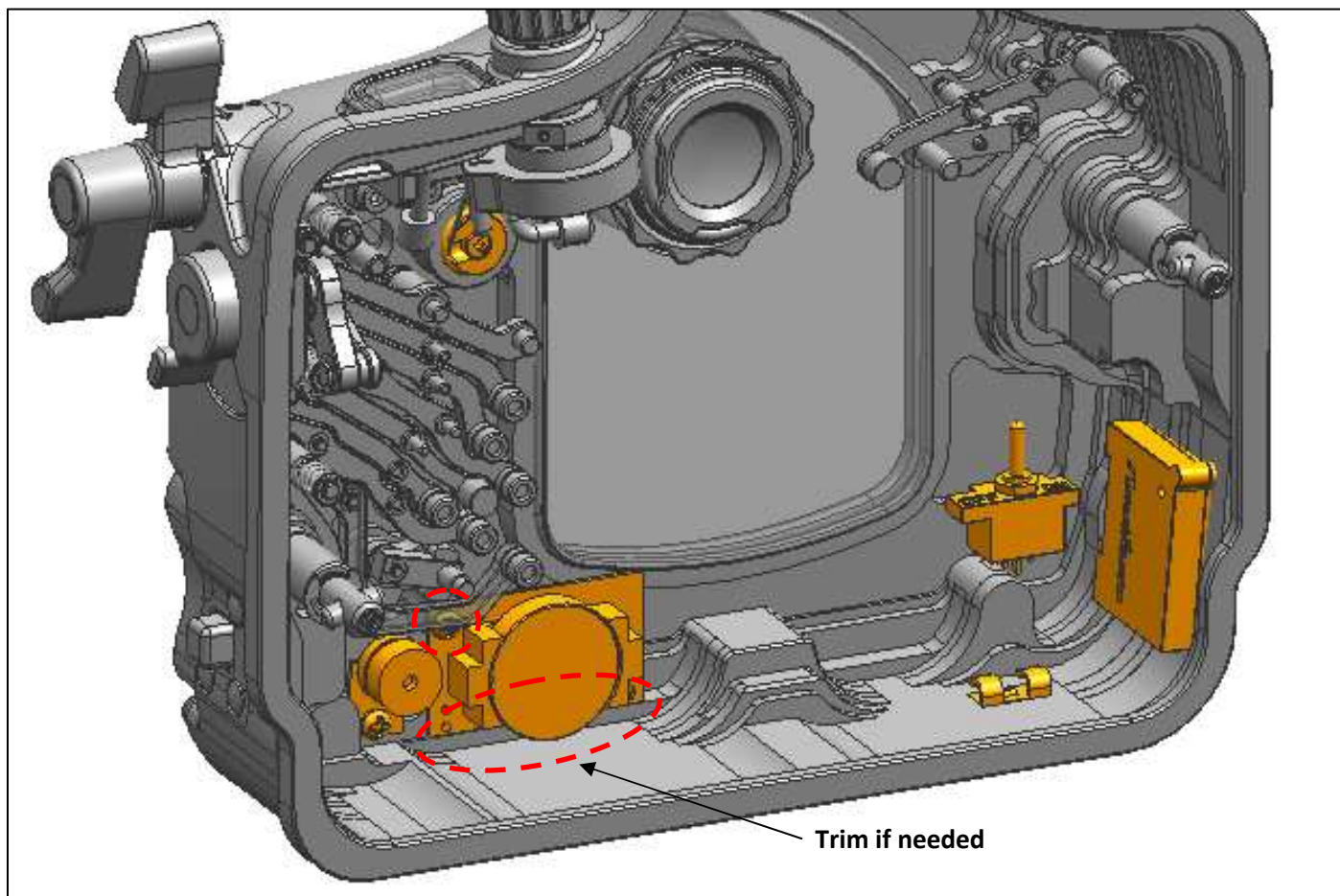


Trim corners if needed

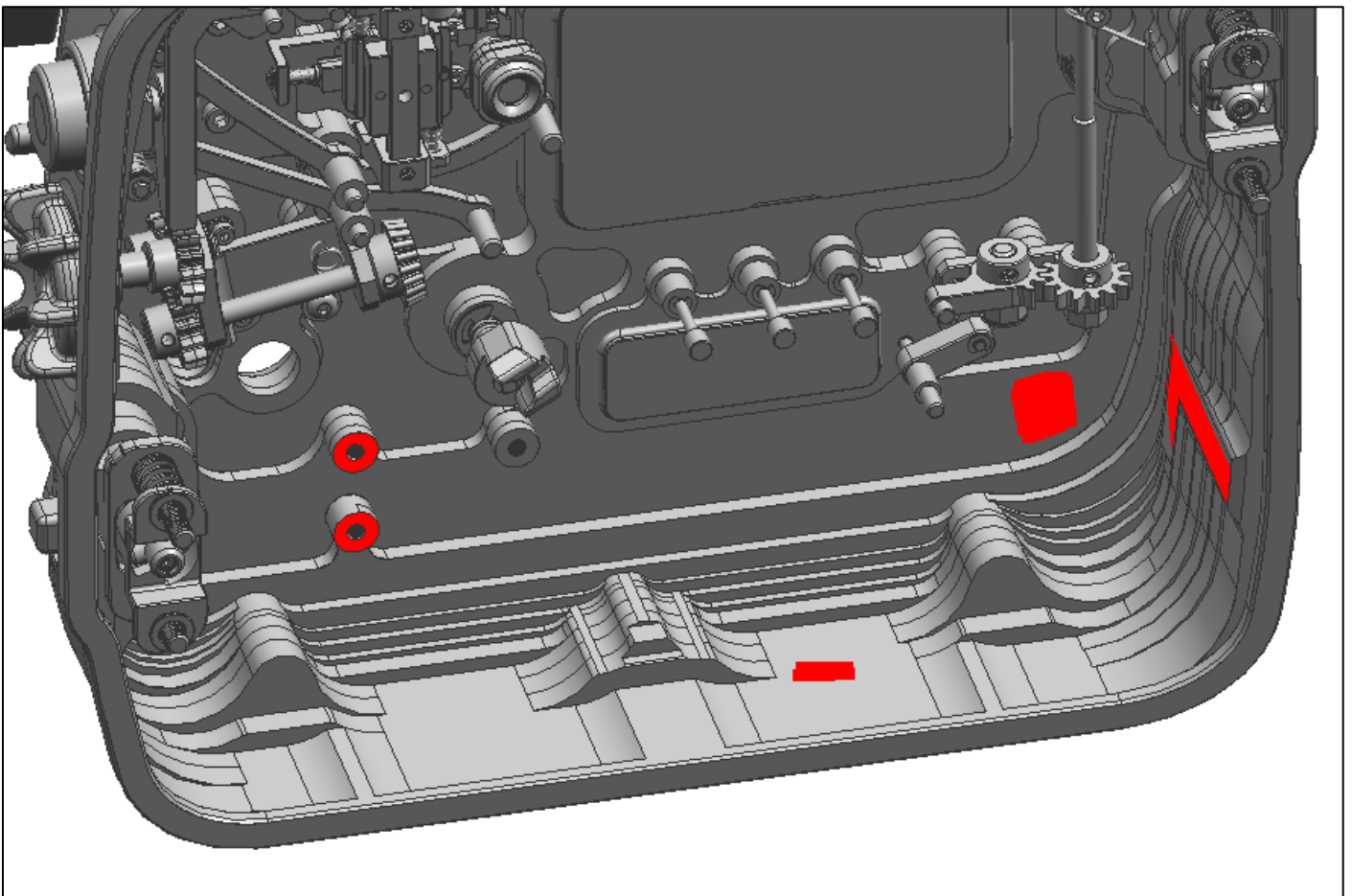
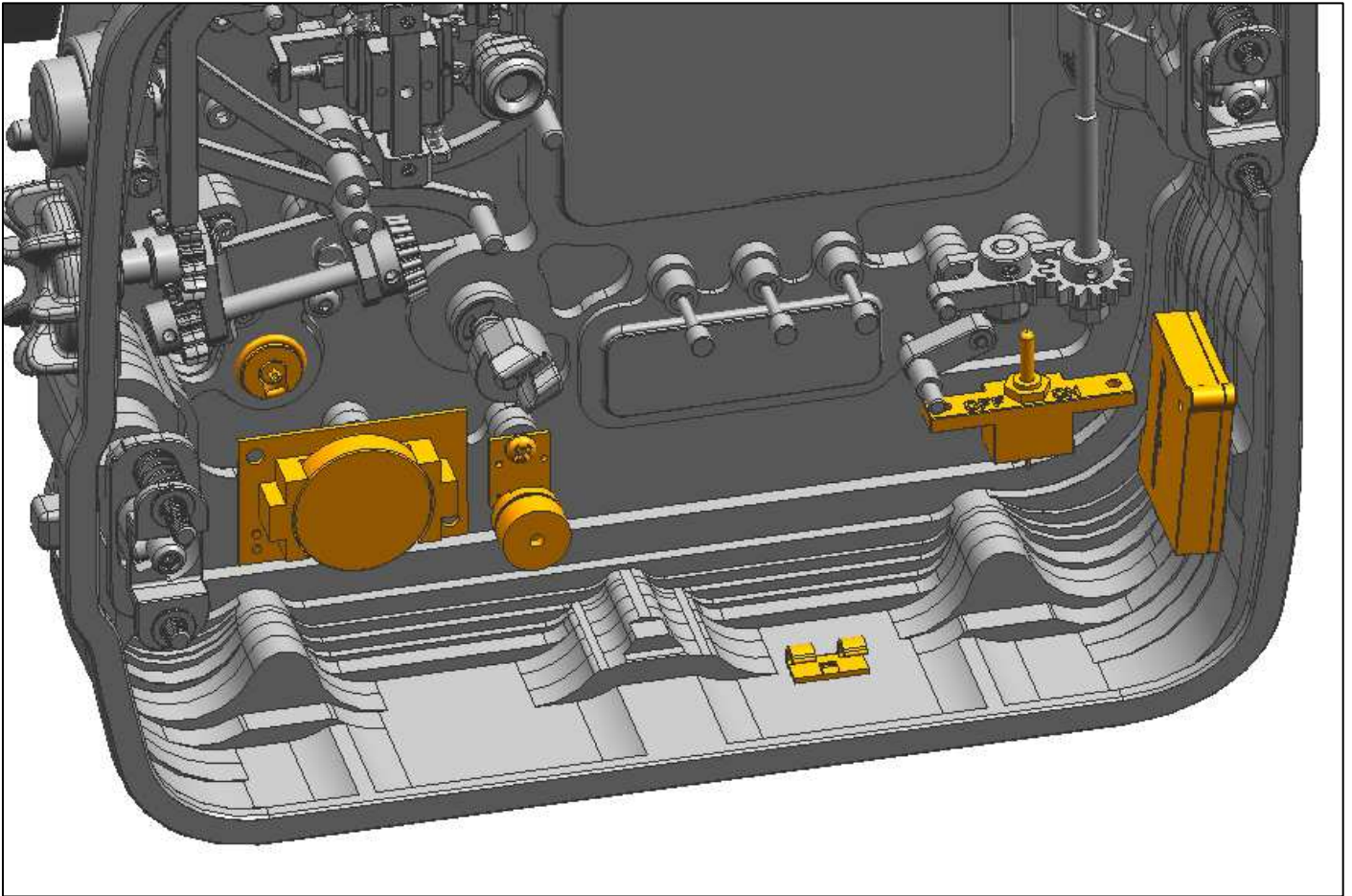


The washer may interfere with the vacuum sensor, slightly loosen the screw and adjust the position of the washer.

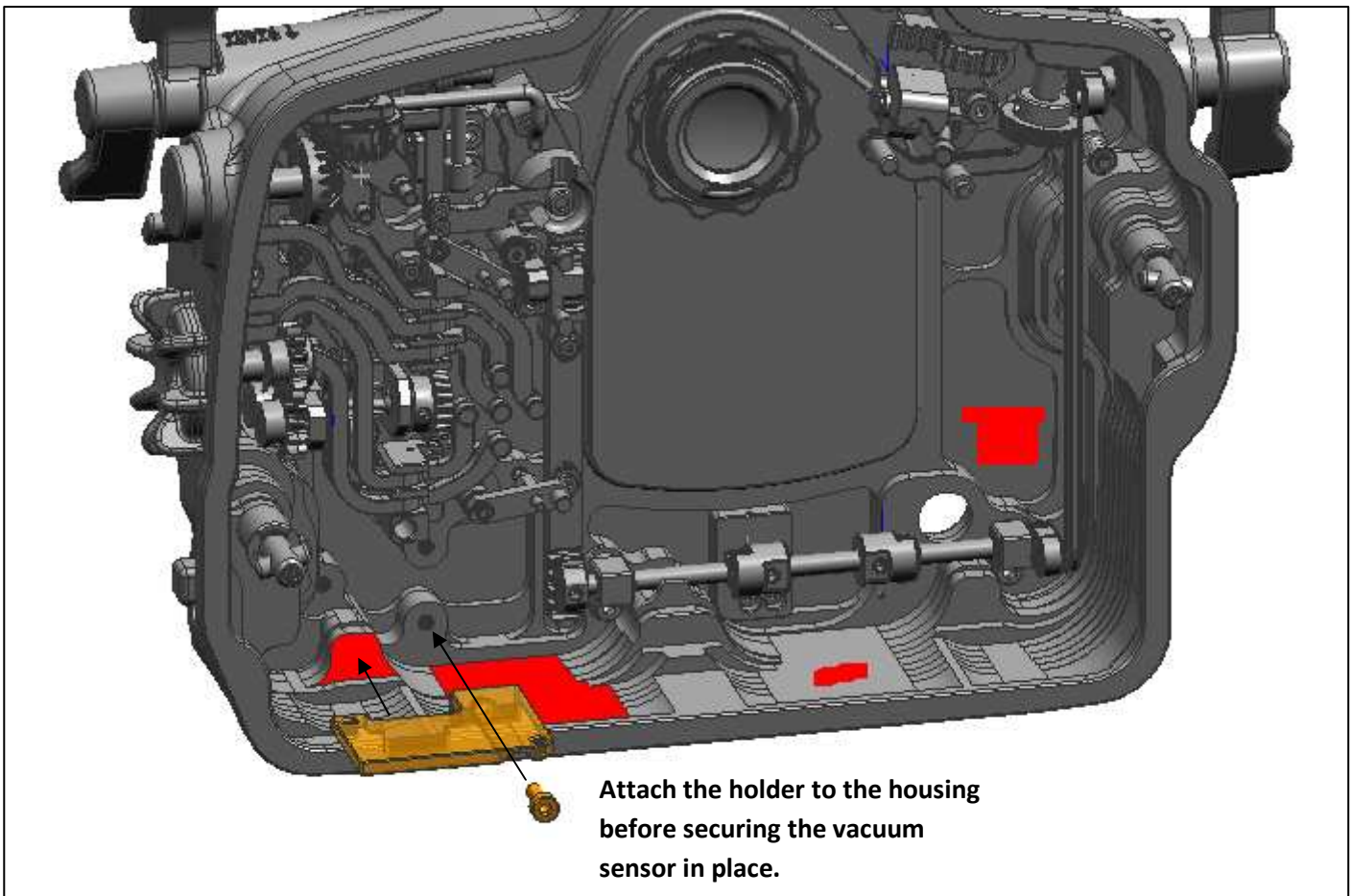
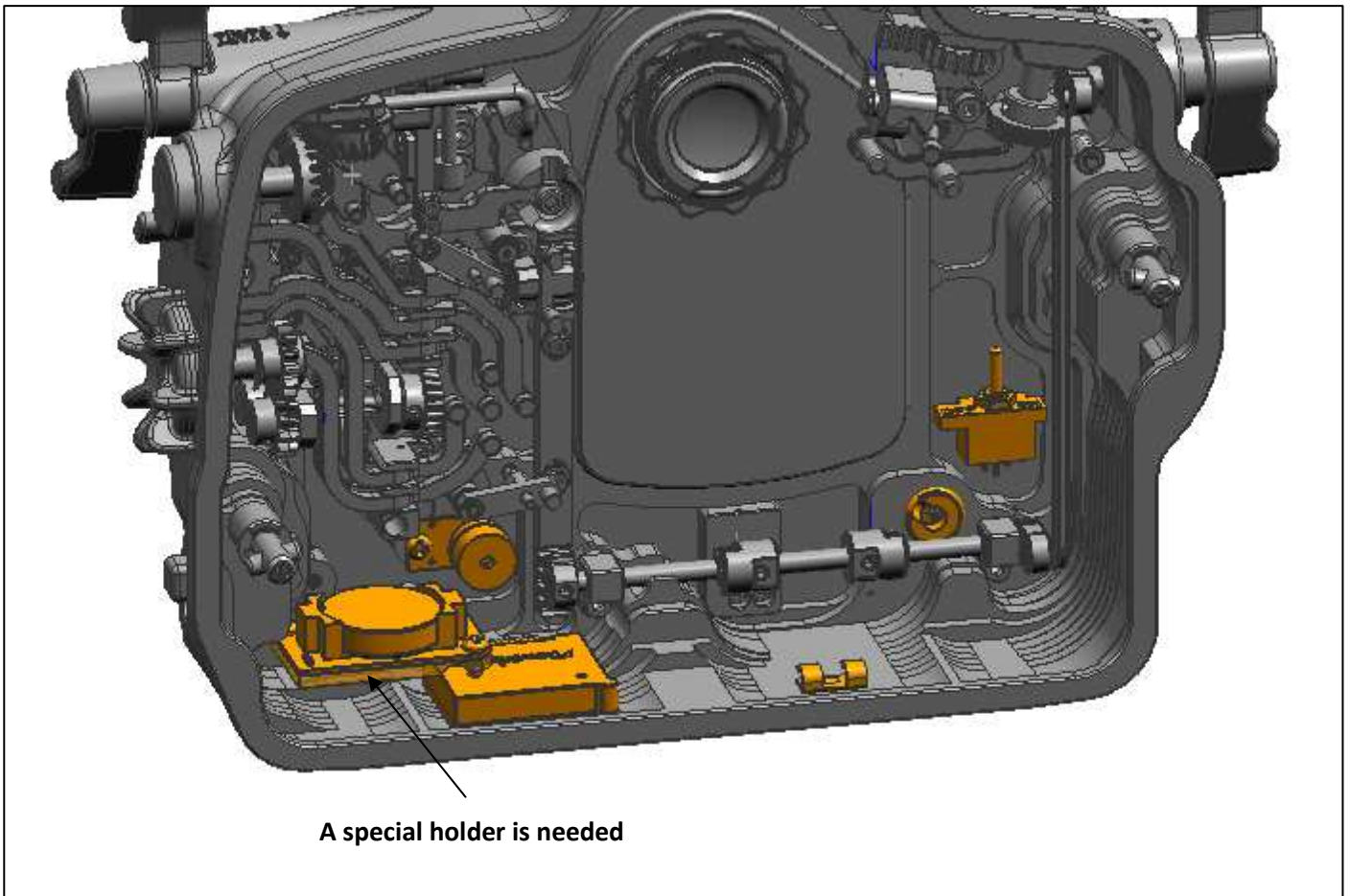
17306 NA-650D Housing



17307 NA-1DX Housing



17311 NA-6D Housing



17707 NA-GH3 Housing

